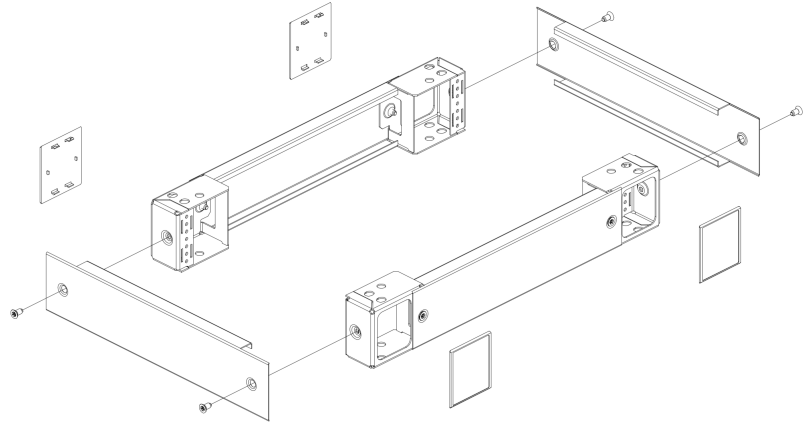
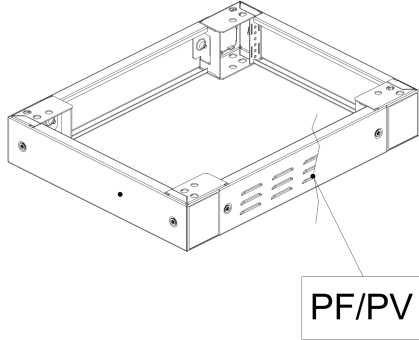
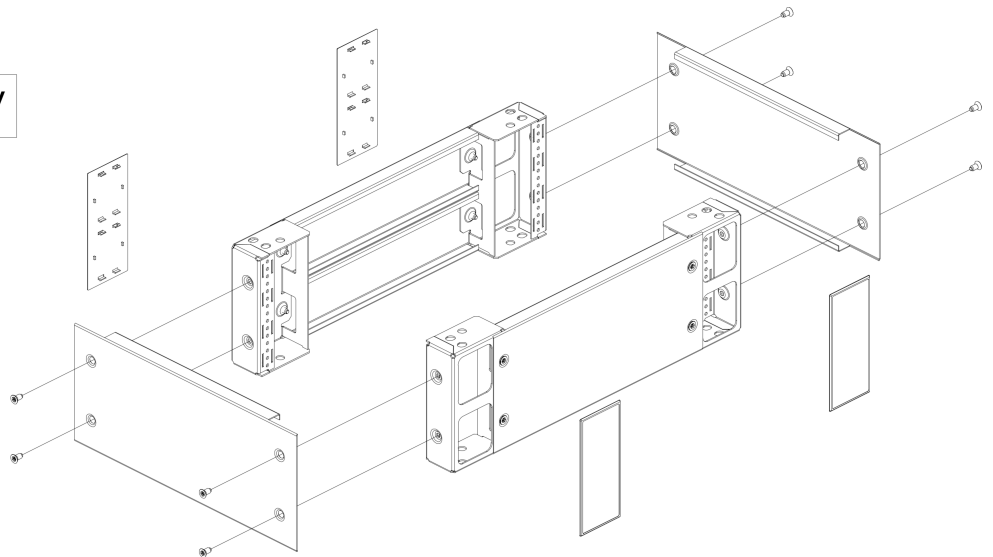
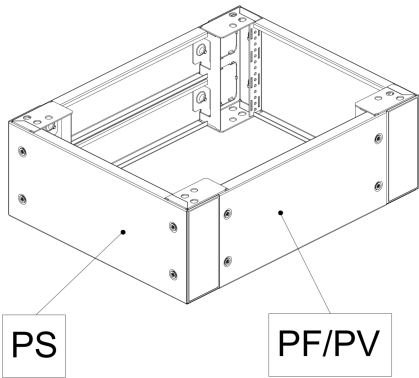


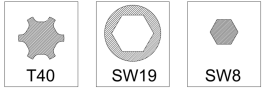
PF/PV/PS

PF/PV/PS 100



PF/PV/PS 200





PF/PV/PS

Ref.	Pic.	Qty.
A		4
B		4/8
C		4
D		8
E*		4

